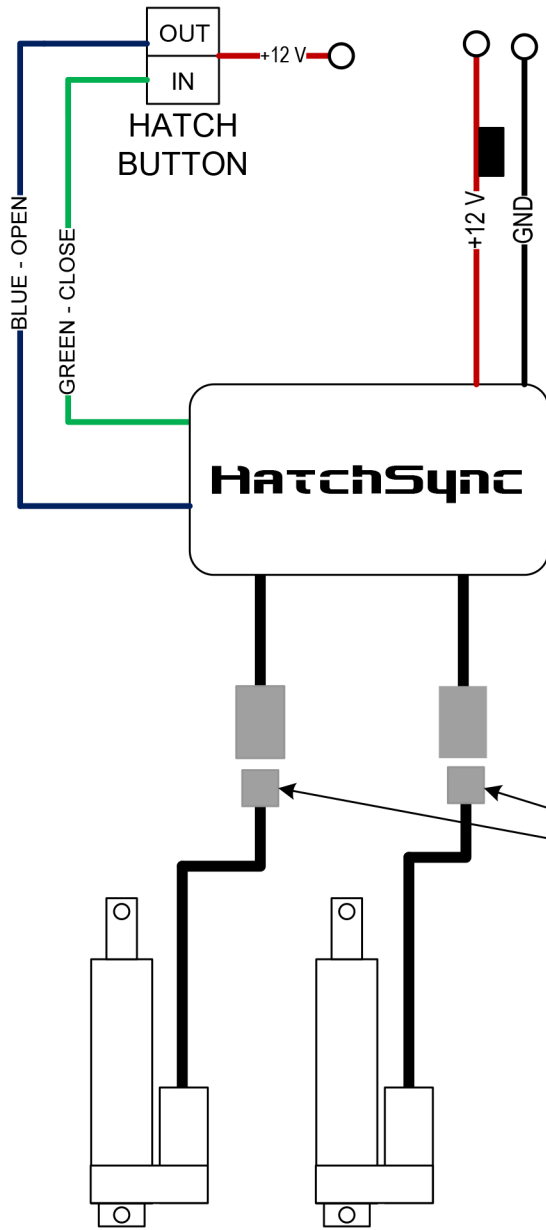


# Hatch Control

**MAYFAIR  
PERFORMANCE**



## NOTES

- Actuators **MUST** be installed so that they are fully-retracted when the hatch is closed
- If an actuator fails, the speed of the other one will be reduced to 25% to reduce the chances of hatch damage.
- Once the fault is repaired it will be necessary to either manually, or with the 25% reduced speed, fully retract both actuators. Once done, a power cycle will resume normal operation.

## AMPHENOL AT SERIES CONNECTOR

- (1) AT06-6S 6-way Plug
- (1) AW6S 6-way Plug Wedge
- (2) AT62-209-16141 AT Socket Contact 14 AWG
- (4) AT62-201-16141 AT Socket Contact 20AWG



