

TITLE:
GEN 5/6 VENT EQUALIZER

www.hardin-marine.com

THIS KIT IS DESIGNED TO ALLOW VENTING OF PRESSURE BUILD UP INSIDE THE SEAPUMP HOUSING THAT COULD CREATE PREMATURE FAILURE TO BE RELEASED THROUGH THE EXISTING FUEL PUMP VENT SYSTEM.

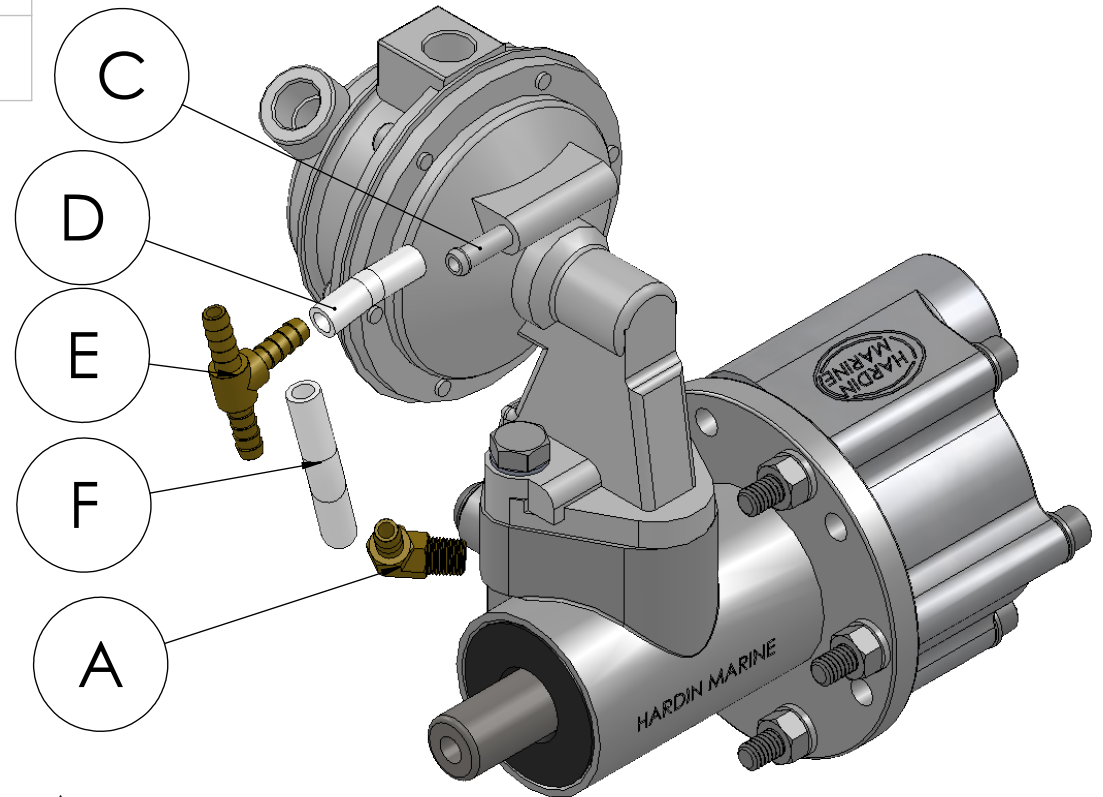
Note will work with all sea pumps listed below that the front housing has been tapped for 1/8 npt:

625-4112

625-4118

625-4176

625-4219



Install Instructions:

- 1) Apply liquid pipe tape to 625-4222 fitting, Fig. A.
- 2) Install into the threaded port just below the sea pump mounting flange, Fig. B.
- 3) Remove your existing hose from the burst vent barb, Fig. C.
- 4) Cut the supplied 625-4224 hose, Fig. D, to connect 625-4223 tee, Fig E to the burst vent barb.
- 5) Cut hose, Fig. F, to connect bottom fitting to the tee.
- 6) Reconnect the existing hose going to the flame arrestor to the tee. Kit is supplied with enough hose in case you want to replace the existing hose.
- 7) Install wire ties on all hose barb connections.

