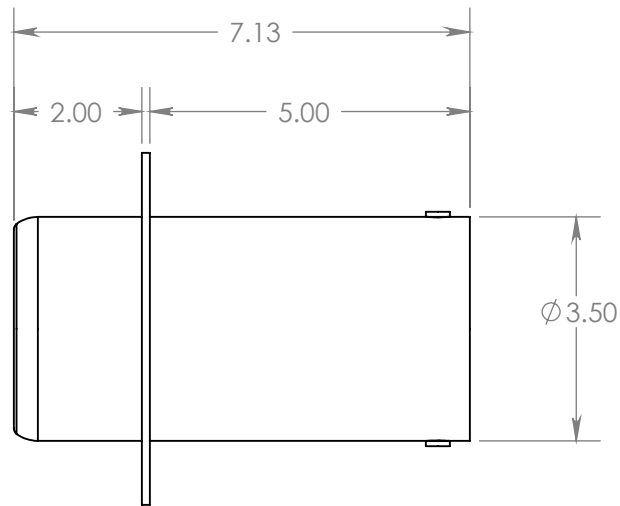
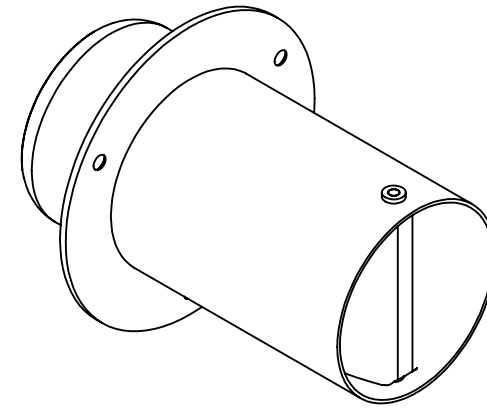
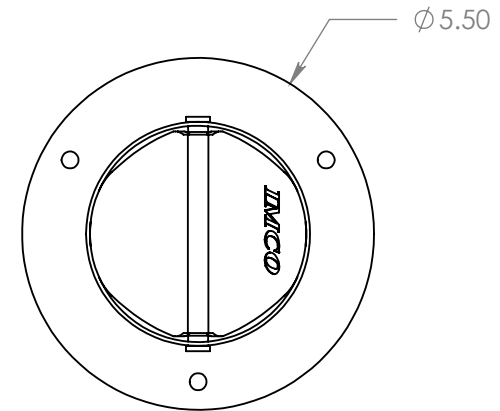


Top View



Side View



Rear View

UNLESS OTHERWISE SPECIFIED
DIMENSIONS ARE IN INCHES.
TOLERANCES ARE:

DECIMALS

.XXX ±.005

ANGLES

.XX ±1°

MATERIAL

S/S

DATE

8/22/11

FINISH

Polished

DRAWN

RT

IMCO

3 1/2" SWIM STEP TIP / FLAP

DWG. NO.

02-8113

REV.

A

CAD FILE:

02-8113

SHEET 1 OF 1