

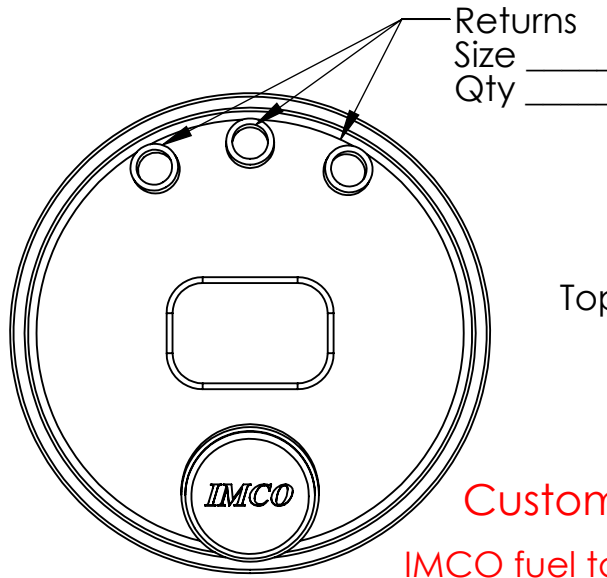
06-8003  
 3 Gallon  
 10" Dia. x 14" Tall  
 Aluminum Bullet Tank

**IMCO**

Phone: (800) 899-8058  
 Fax: (909) 592-6052  
 info@imcomarine.com

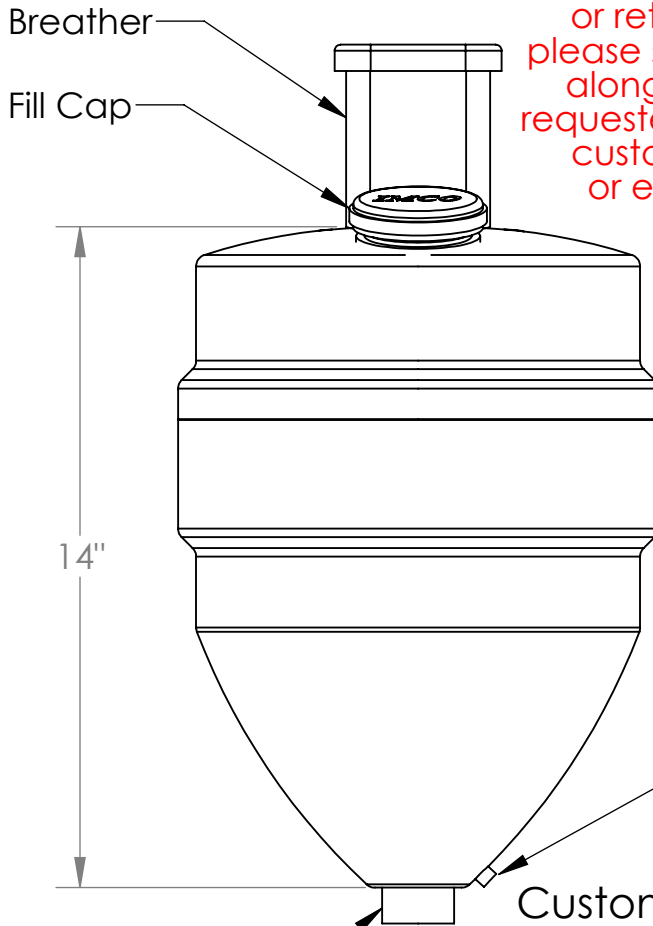
**Standard Configuration**

Fill cap in front of breather, returns behind breather; pickup at center bottom. (Shown with 3 returns) (Drain optional). Fittings are female npt, available in 1/4", 3/8", 1/2", 3/4" and 1". Size, number of returns as well as size of pickup are optional. They can be selected and ordered directly from the website. If configuration needs to be changed see: "Custom Configuration".



**Custom Configuration**

IMCO fuel tanks can be custom made to order. If you require a location of fill cap, breather or returns, different then shown, please specify & note each location along with the size of fittings and requested quantity. Fax or email your custom order to the fax number or email address listed above.



Front View

Custom Size \_\_\_\_\_

Optional Drain  
 (Not Standard)  
 Size \_\_\_\_\_

Pickup  
 Size \_\_\_\_\_

Customer \_\_\_\_\_  
 Address \_\_\_\_\_  
 City \_\_\_\_\_  
 State \_\_\_\_\_  
 Zip Code \_\_\_\_\_  
 Phone # \_\_\_\_\_