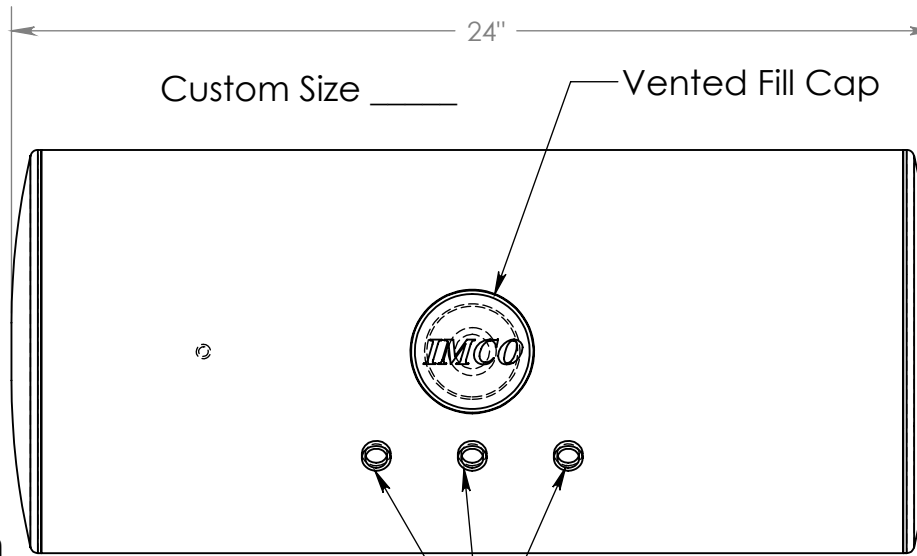


06-8044
 8 1/2 Gallon
 10 1/2" Dia. x 24" Long
 Stainless Race Tank

IMCO

Phone: (800) 899-8058
 Fax: (909) 592-6052
 info@imcomarine.com

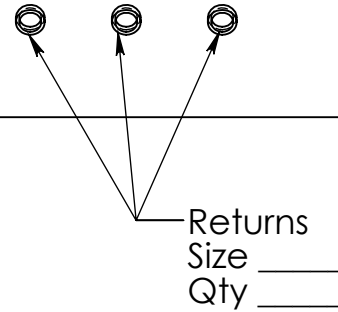


Top View

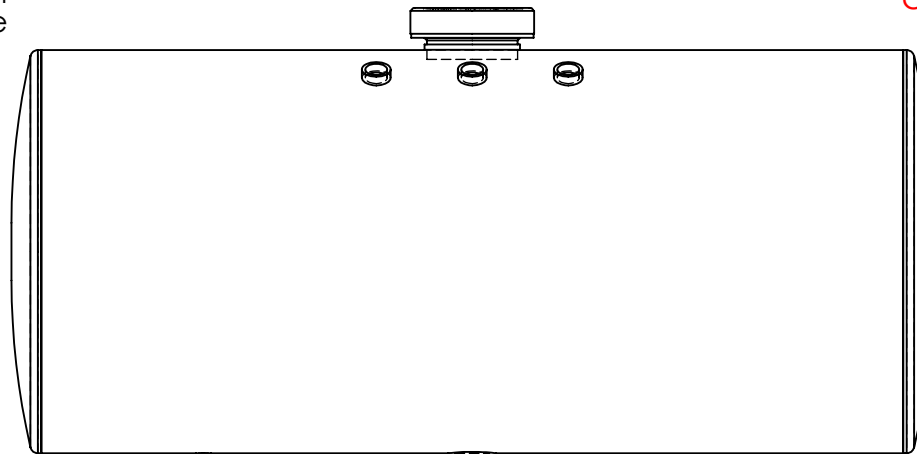
Custom Configuration

Standard Configuration

Fill cap \varnothing , returns in front of fill cap; pickup at center bottom. (Shown with 3 returns) (Drain optional). Fittings are female npt, available in 1/4", 3/8", 1/2", 3/4" and 1". Size, number of returns as well as size of pickup are optional. They can be selected and ordered directly from the website. If configuration needs to be changed see: "Custom Configuration".



IMCO fuel tanks can be custom made to order. If you require a location of fill cap, breather or returns, different then shown, please specify & note each location along with the size of fittings and requested quantity. Fax or email your custom order to the fax number or email address listed above.



Front View

Optional Drain
 (Not Standard)
 Size _____

Pickup
 Size _____
 Qty _____

Customer _____
 Address _____
 City _____
 State _____
 Zip Code _____
 Phone # _____