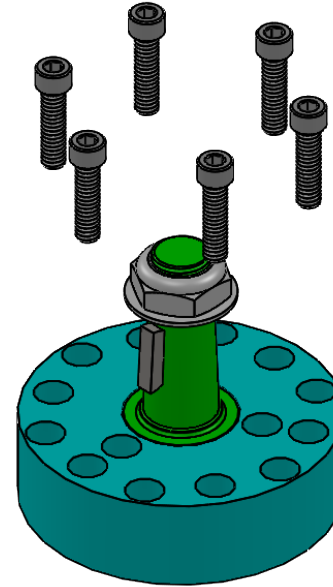
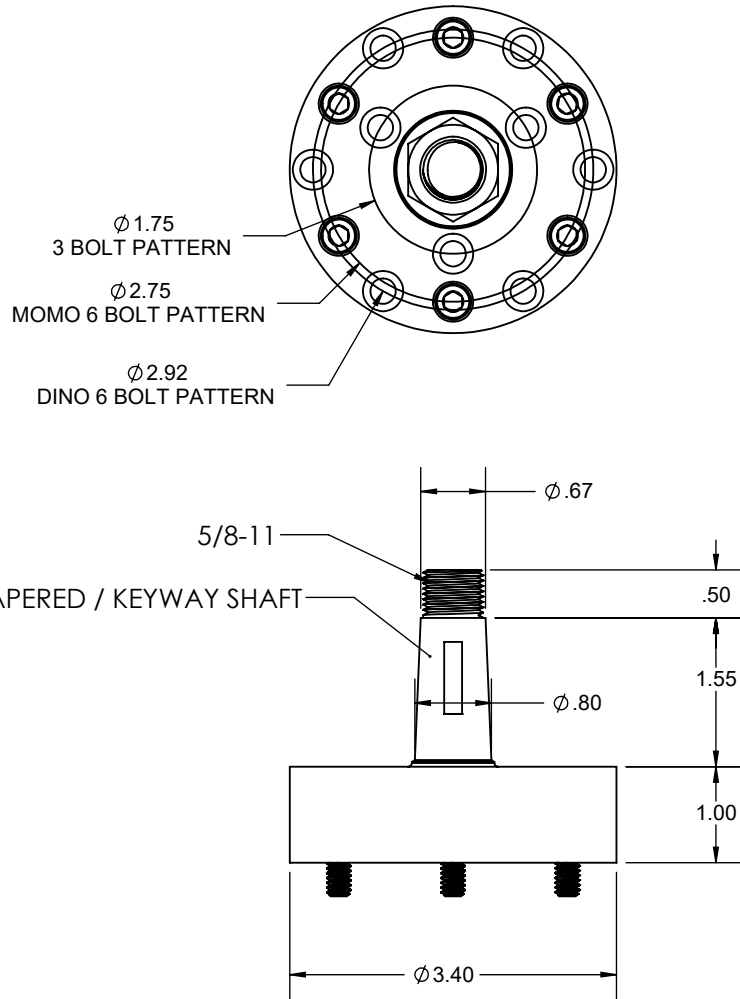


HARDIN 11 Industry Dr. Palm Coast, FL 32137
MARINE 386-445-2500 / FAX 386-445-1122

PART NO.
137-9095

TITLE:
3/4 TAPER SHAFT ADAPTER

www.hardin-marine.com



SUPPLIED MOUNTING HARDWARE:
(6) 10-24 x 1.00 BOLTS
(6) 10-32 x 1.00 BOLTS
(6) 1/4-20 x 1.00 BOLTS
(1) KEYWAY
(1) 5/8-11 NUT AND WASHER

HARDIN 11 Industry Dr. Palm Coast, FL 32137
MARINE 386-445-2500 / FAX 386-445-1122

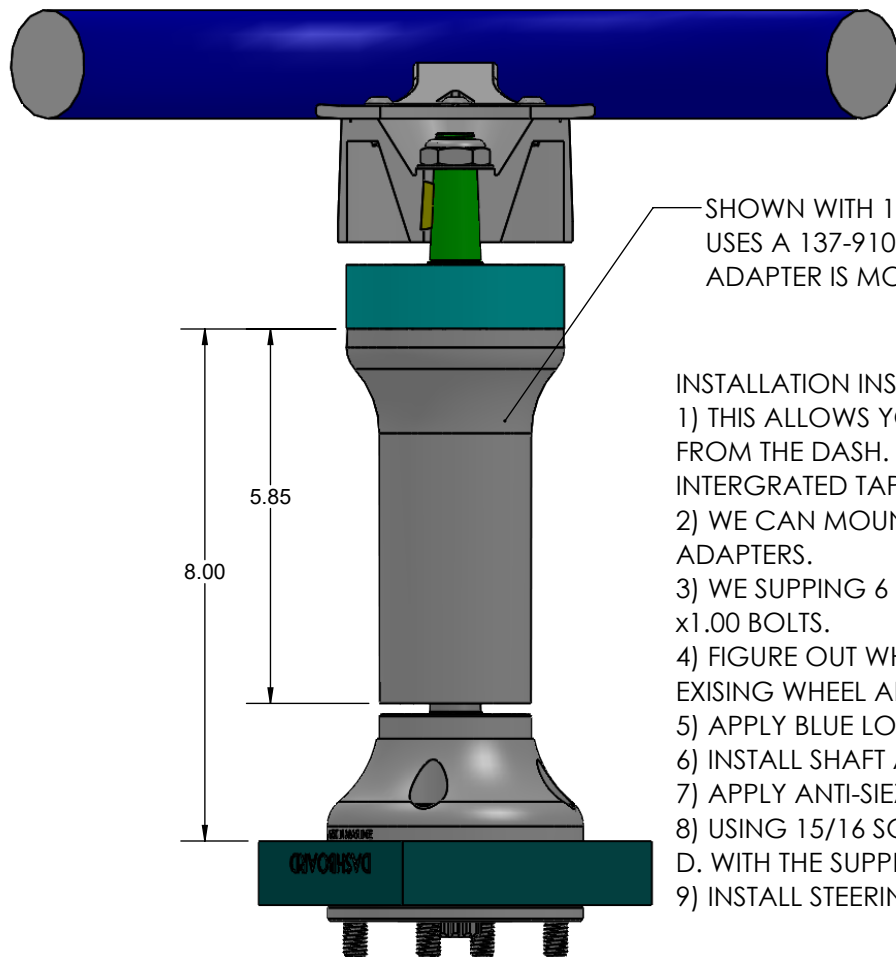
PART NO.
137-9095

TITLE:
3/4 TAPER SHAFT ADAPTER

www.hardin-marine.com

OPTIONAL 3/4 TAPER WHEEL EXTENSIONS:

- 125-S101 2" LONG w/ 3 BOLT PATTERN
- 125-S141 4" LONG w/ 3 BOLT PATTERN
- 137-9104 1.85 LONG w/ DUAL 6 BOLT PATTERN
- 137-9105 3.85 LONG w/ DUAL 6 BOLT PATTERN
- 137-9106 5.85 LONG w/ DUAL 6 BOLT PATTERN
- 137-9115 7.85 LONG w/ DUAL 6 BOLT PATTERN
- 137-9115 8.85 LONG w/ DUAL 6 BOLT PATTERN
- 734-4030 2" LONG w/ DUAL 6 BOLT PATTERN



SHOWN WITH 137-9122 8" STEERING COLUMN THAT USES A 137-9106 ADAPTER. WHEN THE WHEEL ADAPTER IS MOUNTED IT IS 8" AWAY FROM THE DASH.

INSTALLATION INSTRUCTIONS:

- 1) THIS ALLOWS YOU MOVE YOU STEERING WHEEL FARTHER AWAY FROM THE DASH. CAN BE USED WITH STEERING WHEELS WITH INTERGRATED TAPER ADAPTERS.
- 2) WE CAN MOUNT TO 3 BOLT, 6 BOLT DINO & 6 BOLT MOMO ADAPTERS.
- 3) WE SUPPING 6 OF EACH SIZE 10-24x1.00, 10-32x1.00 x 1/4-20 x1.00 BOLTS.
- 4) FIGURE OUT WHICH SIZE BOLTS IS NEEDED TO ATTACHED TO EXISING WHEEL ADAPTER, FIG A.
- 5) APPLY BLUE LOCTITE TO THE BOLTS.
- 6) INSTALL SHAFT ADAPTER, FIG B. TORQUE BOLTS TO 10 FT LBS..
- 7) APPLY ANTI-SIEZE TO THE SHAFT ADAPTER THREADS, FIG. C.
- 8) USING 15/16 SOCKET. INSTALL YOUR NEW WHEEL ADAPTER , FIG. D. WITH THE SUPPLIED NUT AND WASHER, FIG.E.
- 9) INSTALL STEERING WHEEL.

