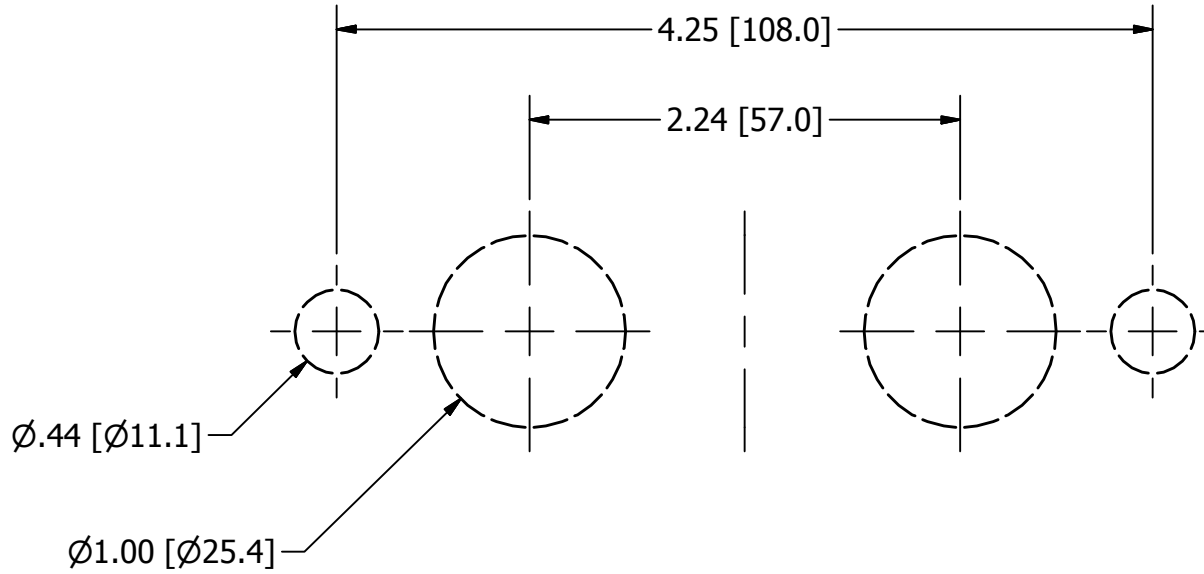
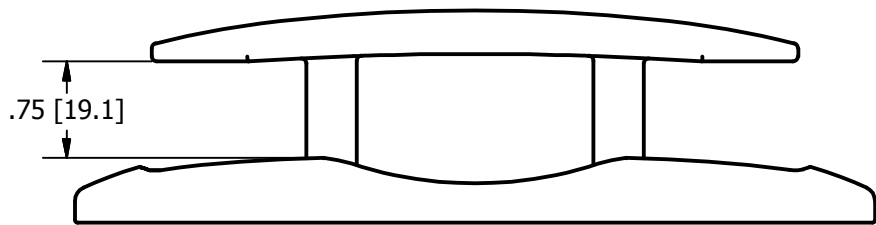
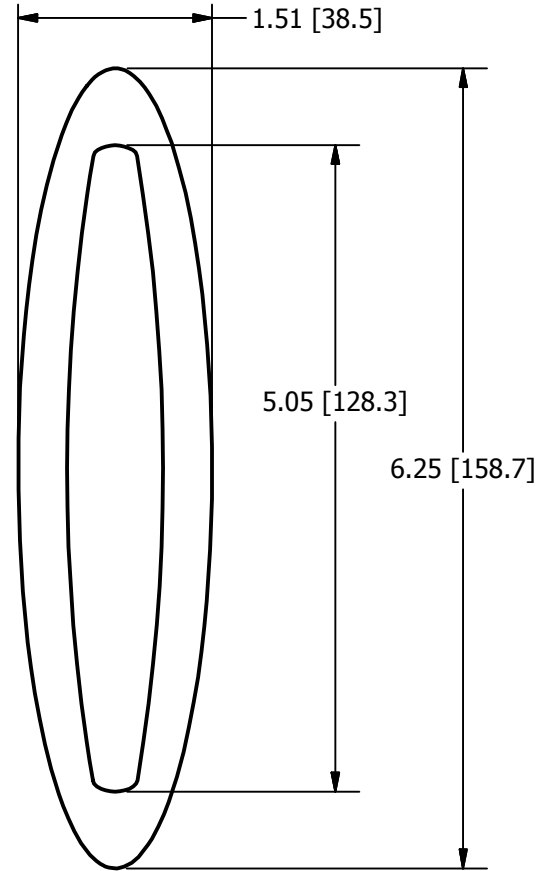
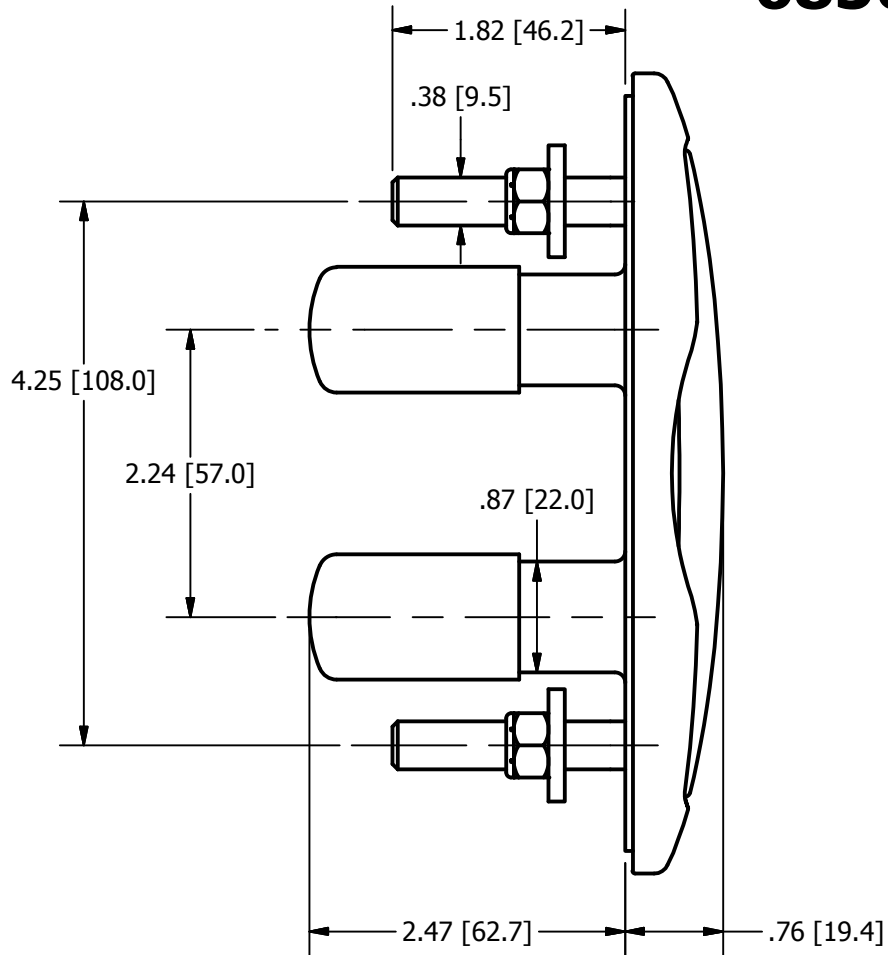


Installation Template



Part Number			Rev	Description	
68502			9	Cleat 6" Sleek, Cutting Edge	
Paper	Standards	Tolerance		Scale	Sheet
A	INCHES[MM]	X.x"	$\pm .100$ "	1:1	1 OF 1
		X.xx"	$\pm .020$ "		
		X.xxx"	$\pm .005$ "		

Marketing Drawing for 68502



Description			
CLEAT 6" SLEEK CUTTING EDGE			
Size	Part No	Rev	Scale
A	68502	11	2:3