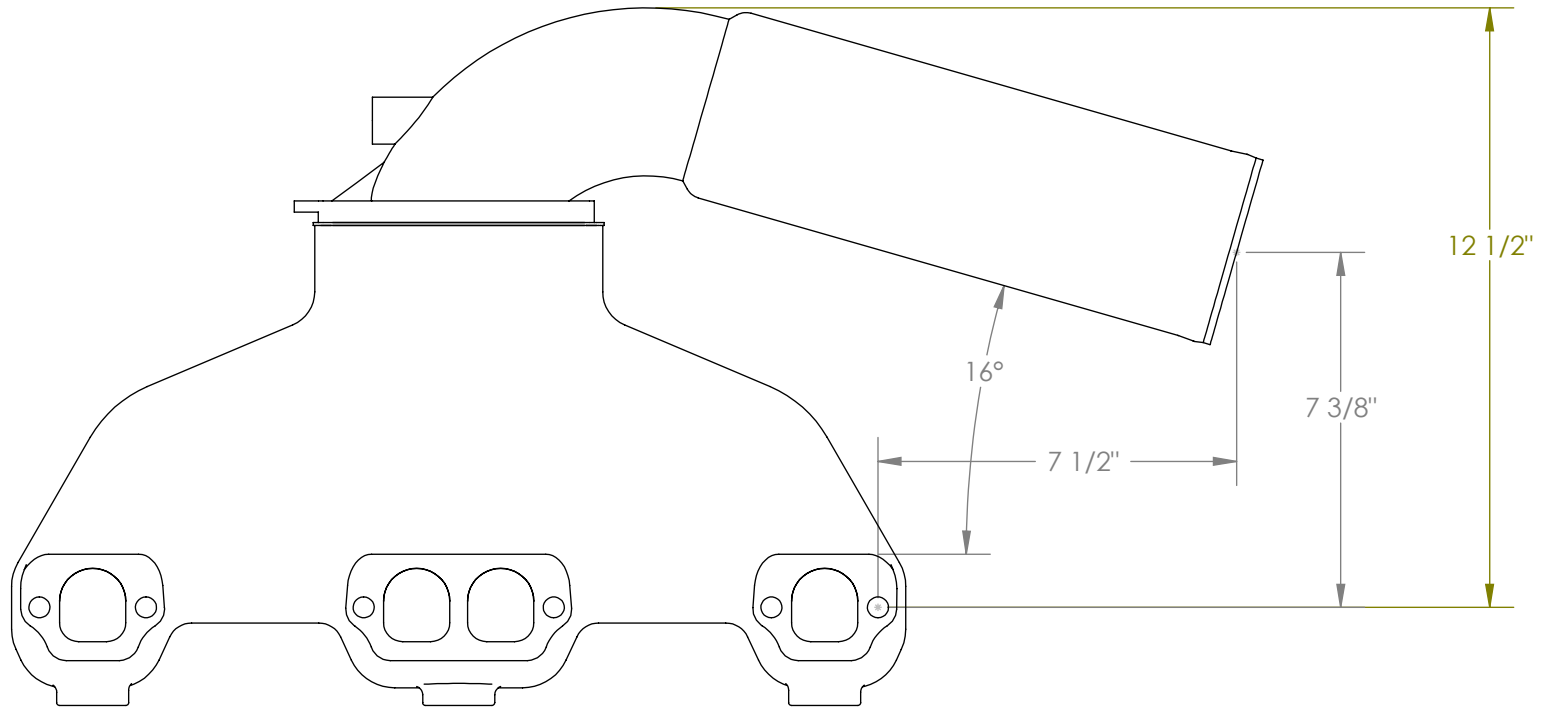


THE INFORMATION CONTAINED IN THIS DRAWING IS THE SOLE PROPERTY OF IMCO. ANY RE-PRODUCTION, IN PART OR WHOLE, WITHOUT THE WRITTEN PERMISSION OF IMCO IS PROHIBITED.



UNLESS OTHERWISE SPECIFIED  
DIMENSIONS ARE IN INCHES.  
TOLERANCES ARE:

DECIMALS      ANGLES

CAD GENERATED DRAWING,  
DO NOT MANUALLY UPDATE

APPROVALS	DATE
DRAWN MH	04-03-03

MATERIAL

CHECKED

MFG ENG

FINISH

QUAL ENG

**IMCO**

**POWER FLOW - SM. BLK  
A - Type Riser  
Star Side**

DWG. NO.

REV. **A**

CAD FILE:

SHEET 1 OF 1