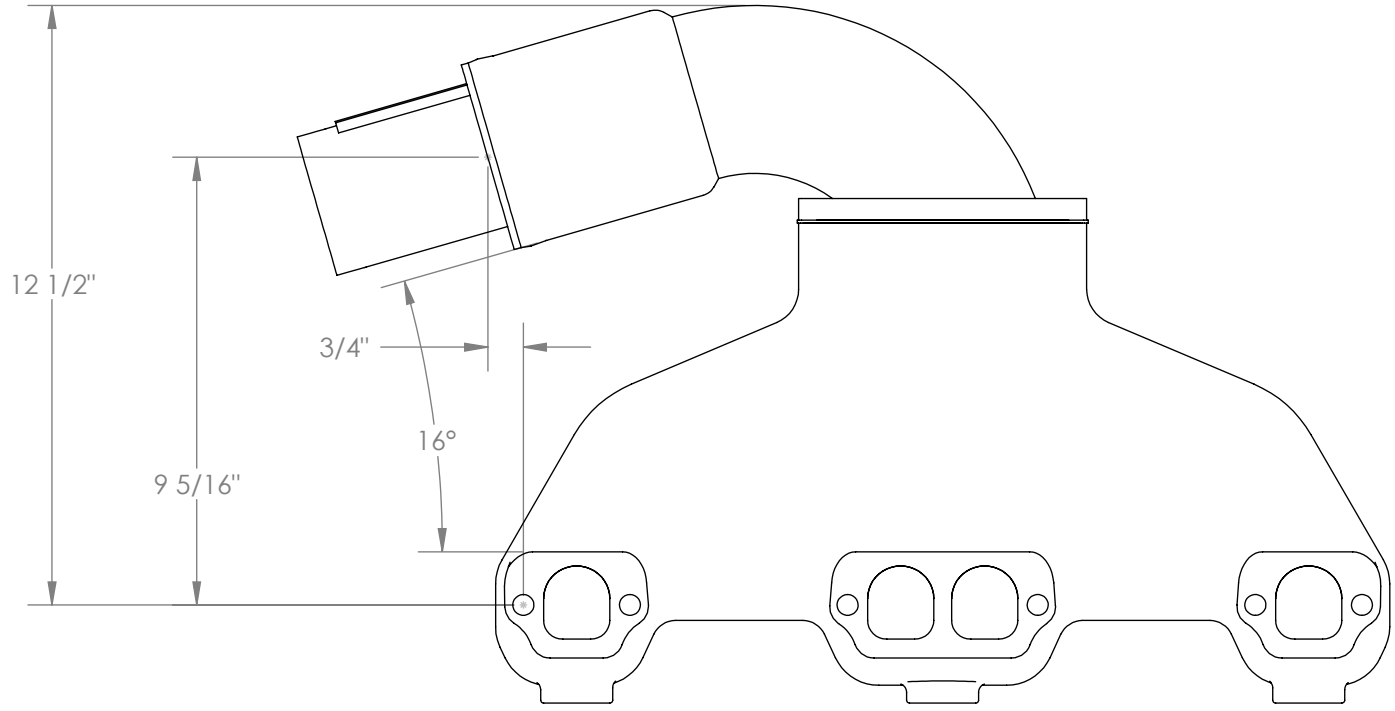


THE INFORMATION CONTAINED IN THIS DRAWING IS THE SOLE PROPERTY OF IMCO. ANY RE-PRODUCTION, IN PART OR WHOLE, WITHOUT THE WRITTEN PERMISSION OF IMCO IS PROHIBITED.



UNLESS OTHERWISE SPECIFIED DIMENSIONS ARE IN INCHES. TOLERANCES ARE: DECIMALS ANGLES	CAD GENERATED DRAWING, DO NOT MANUALLY UPDATE		IMCO
	APPROVALS	DATE	
DRAWN	MH	04-03-03	POWER FLOW - SM. BLK SA - Type Riser Port Side
MATERIAL	CHECKED		
FINISH	MFG ENG		
	QUAL ENG		DWG. NO.
			REV. A
			CAD FILE:
			SHEET 1 OF 1